

# **VISSONIC**

---

Professional Audio Video Manufacturer

## **VIS-BTH booth for interpreter**

**Product Datasheet**



**VISSONIC ELECTRONICS LTD.**

**Think Solution**

## VIS-BTH

Booth for interpreter



### Overview

The 2-Person Interpretation Booth is a lightweight, modular, and easy-to-install unit. Built to ISO 4043 standards, it has 35mm thick panels and a sturdy aluminum alloy frame. The interior includes sound-absorbing panels to reduce dust and ensure comfortable breathing for interpreters.

### Features

- The modules connect using hook-style fittings, requiring no tools for installation.
- Installation time: approximately 5 minutes.
- The complete set includes 8 panels (4 with windows, 1 door panel), 2 roof covers, 1 tabletop, 2 cable holes, 1 ventilation hole, and 2 ventilation fans.
- Standard window: 860mm high x 680mm wide; standard tabletop height: 740mm from the ground, dimensions: 1530mm x 500mm; cable hole size: 160mm x 80mm.
- Outward-opening door meets safety standards.
- Silent top-mounted ventilation fan with 8 air changes per minute.
- Door options: rear or side opening.
- Table load capacity: 30kg.
- Comes with flight case + cardboard packaging (wooden packaging recommended for stationary setups to reduce costs).

## Technical Parameters

Outside Dimension: W1600 x D1600 x H2035 (mm)

Inside dimension: W1530 x D1530 x H2000 (mm)

Package size: W2080 x D700 x H1050 (mm)

Weight: 236KG

Net weight(without flight case): 180KG

Thickness of wall panel: 35mm

Exterior Color: Dark grey, customizable

Internal Color: Light grey, customizable

Sound insulation: 20~35 dB

Panel numbers: 11

Table: 1530 x 500 (mm), 740mm height

Window: acrylic

Front window: W680 x H860 (mm); Rear window (door) : W229 x H480 (mm)

Fan: interchangeable position, Size: W360 x D180 x H120 (mm); Power supply: 100-240V

## Soundproofing

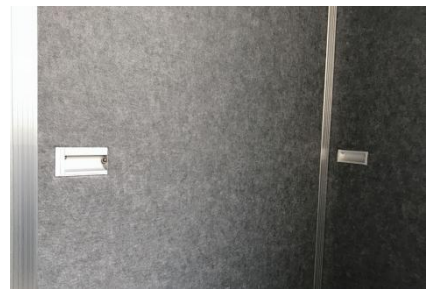
Table 1: Difference in Sound Pressure Levels (D) Between the Interpretation Booth and the Room

frequency(Hz)	250	500	1000	2000	4000
D(dB)	14	18	24	26	26

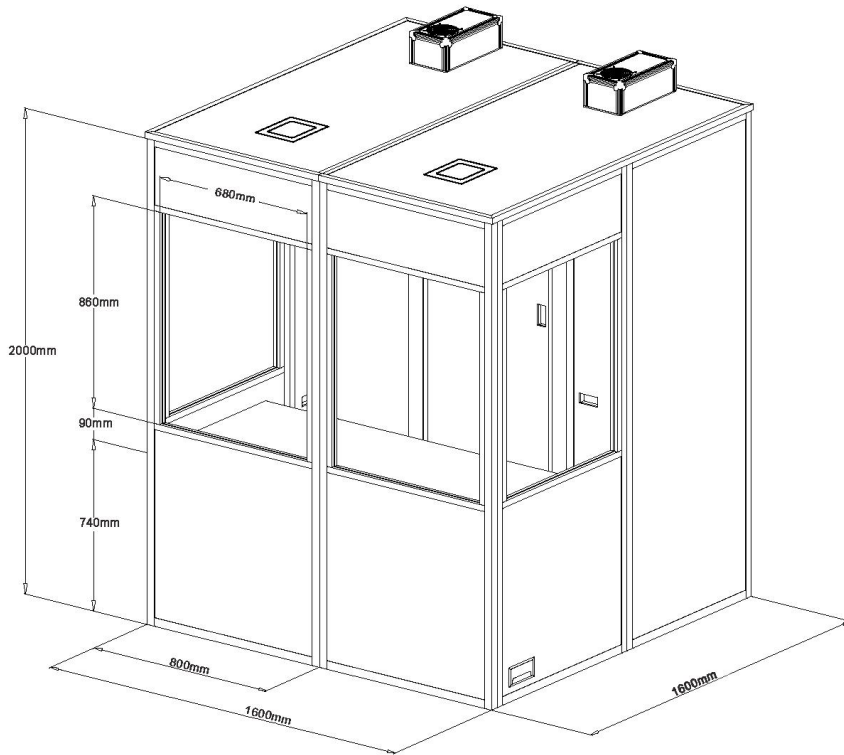
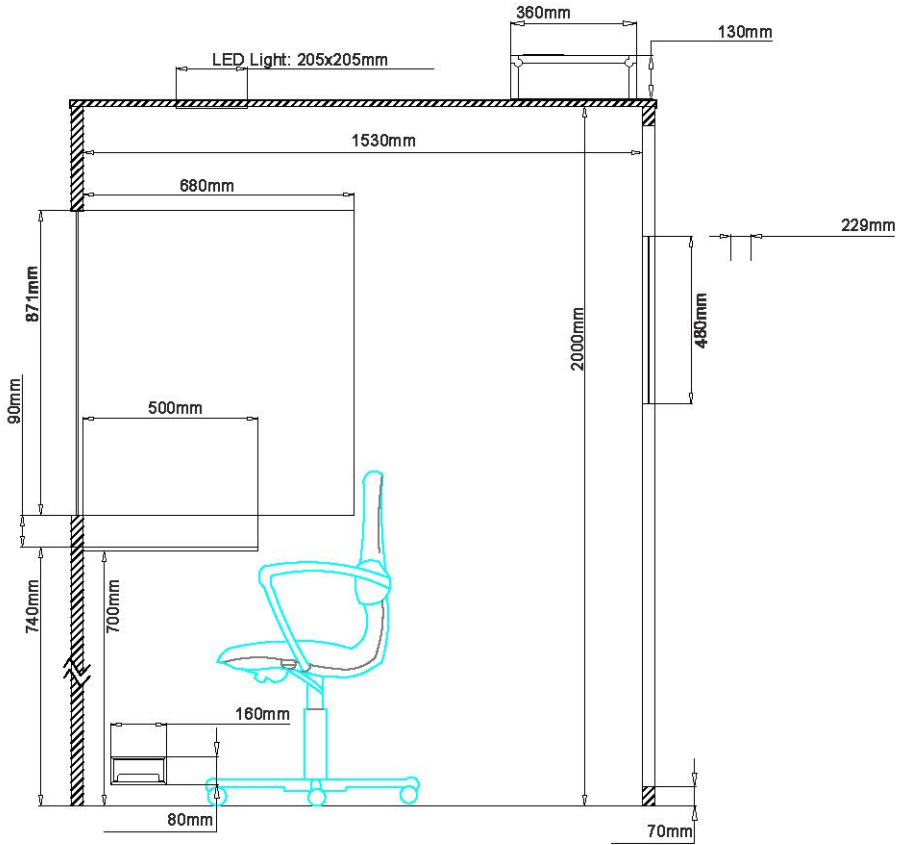
Table 2: Difference in Sound Pressure Levels (D) Between Interpretation Booths

frequency(Hz)	250	500	1000	2000	4000
D(dB)	20	26	32	34	30

## Details



## Drawings



Weight: 236KG including the flight case

## About VISSONIC Electronics Limited

Our mission is to develop and manufacture the most comprehensive and innovative audio visual products for our clients. We provide the best performance/price ratio products because it could give you satisfaction just from the time you use them, we believe the good design with cutting edge technology on products will provide value to all our partners and end users. Listen to your demands, we fulfill it.



4/F, Building G7, No. 31 Kefeng Road, Huangpu district, Guangzhou, China

• Tel: +86-020-82515140 • E-mail: [info@vissonic.com](mailto:info@vissonic.com)

@2024 VISSONIC Electronics Ltd. all rights reserved.