

## VIS-DCC-F2 Digital Discussion Chairman Unit Datasheet V1.0



## 1. Product Overview

The VIS-DCC-F2 is a digital discussion flush-mount chairman unit with built-in speaker, integrating chairman control and local sound reinforcement. It supports priority speaking and multiple control modes, with high-fidelity audio processing and strong anti-interference performance, suitable for various conference scenarios.

## 2. Features

- Stylish, low-profile design with three backlit icon buttons, auto-switching functions by unit type;
- 3.5mm headphone jack;
- Hot plug and play;
- Built-in high-fidelity speaker with auto mute during speaking to prevent feedback;
- Compliant with IEC 60914 and GB/T 15381-94 standards;
- The unique AUDIO-LINK digital ring network technology achieve full-digital signal transmission and processing, completely avoid the RF interference from cell phone or similar devices;
- Single CAT5e cable transmits 64 channels of audio and various information;
- High fidelity sound by zero loss audio transmit technology, 48K audio sampling frequency, 20Hz~20KHz response frequency;
- "Hand-in-Hand-Loop-Network" connection makes the system always working perfectly no matter changing discussion unit or having any malfunctioned units;
- This system is assigned to each unit independently ID to avoid duplicate ID conflict;
- AGC (Automatic Gain Control)/AFC (Adaptive Feedback Cancellation)/ANC (Active Noise Control)/Mix (Auto-Mix) technology;
- Hot-swap for any system unit, and the controller has auto-recovery function;
- Precise cardioid directional microphone capsule with anti-wind microphone foam, with two-color LED indicator;
- Button for MIC ON/OFF, Priority & Apply Answer button for chairman unit;
- Without using PC software, our conference controller still owns following

settings:

--Limit on the number of speaking persons: By Setting the number of active units at the same time (Number is 1/2/4/6/ units)

--Discussion modes:

[OPEN] Free for all, limited by the active units setting by controller, [VOICE] Can activate MIC by detecting sound without press button, [OVERRIDE] First in First out, [APPLY] To apply then to speak, [ALL] Full open mode, [PTT] Press to speak (Optional).

--Chairman unit has priority to close all other units or mute them temporarily

--Chairman unit can consent the application for speaking from delegate

--Simultaneous language interpretation

- Work with VIS-CDC series HD camera and VIS-CATC-A switcher, it can realize camera auto tracking function.

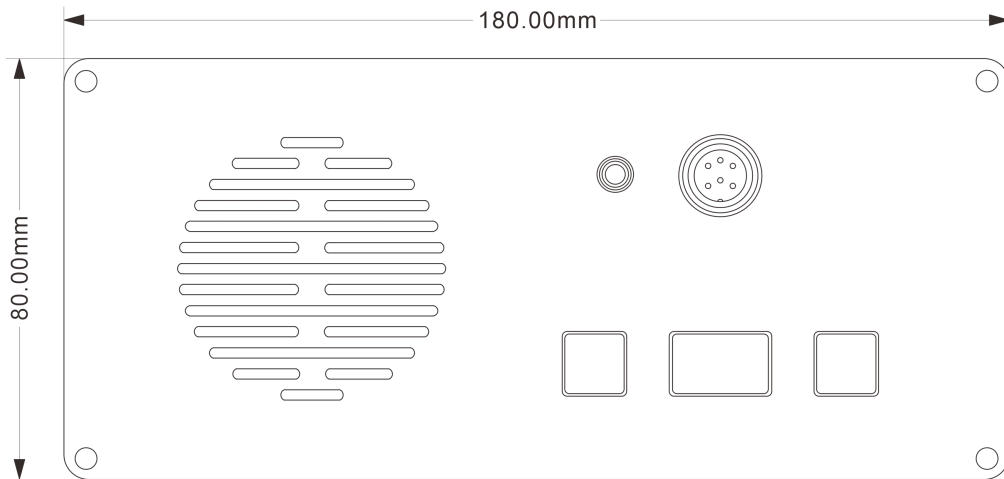
### 3. Parameters

Model	VIS-DCC-F2
Sound Pickup	heart type capacitance
Maximum Power Consumption	2W
Directivity	0°/180°>20dB (1kHz)
Headphone Load	16Ω
Headphone Volume	10mW
Interfaces	1× 3.5mm stereo headphone jack 1× detachable gooseneck microphone port 2× RJ45 ports
Speaker Power	3W
Stereo Input Impedance	2kΩ
SNR	70dB
Frequency Response	20Hz~20kHz
Equivalent Noise	20dBA (SPL)

Maximum Sound Pressure	125dB (THD <3%)
Main Material	Aluminum
Size (D×W)	180×80mm
Operating/Storage Temperature	0°C~55°C
Color	Black

### 4. Mechanical Drawing

Size: mm



## **About VISSONIC Electronics Limited**

Our mission is to develop and manufacture the most comprehensive and innovative audio visual products for our clients. We provide the best performance/price ratio products because it could give you satisfaction just from the time you use them, we believe the good design with cutting edge technology on products will provide value to all our partners and end users. Listen to your demands, we fulfill it.

The logo for VISSONIC features the word "VISSONIC" in a bold, italicized, black sans-serif font. The letter "S" is highlighted in a vibrant green color, creating a focal point in the brand name.

4/F, Building G7, No. 31 Kefeng Road, Huangpu district, Guangzhou, China

Tel: +86-020-82515140 • E-mail: [info@vissonic.com](mailto:info@vissonic.com)

@2026 VISSONIC Electronics Ltd. all rights reserved.